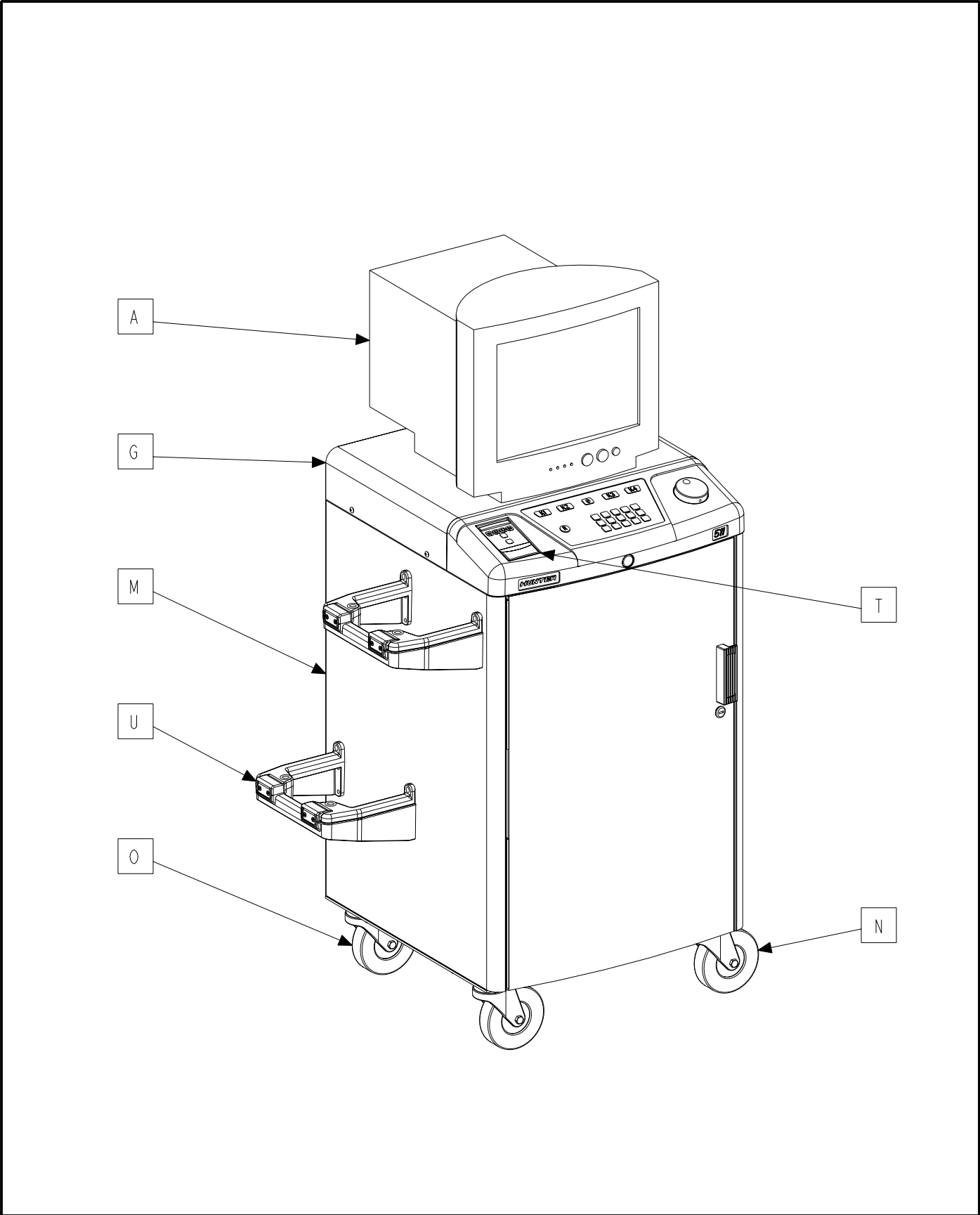
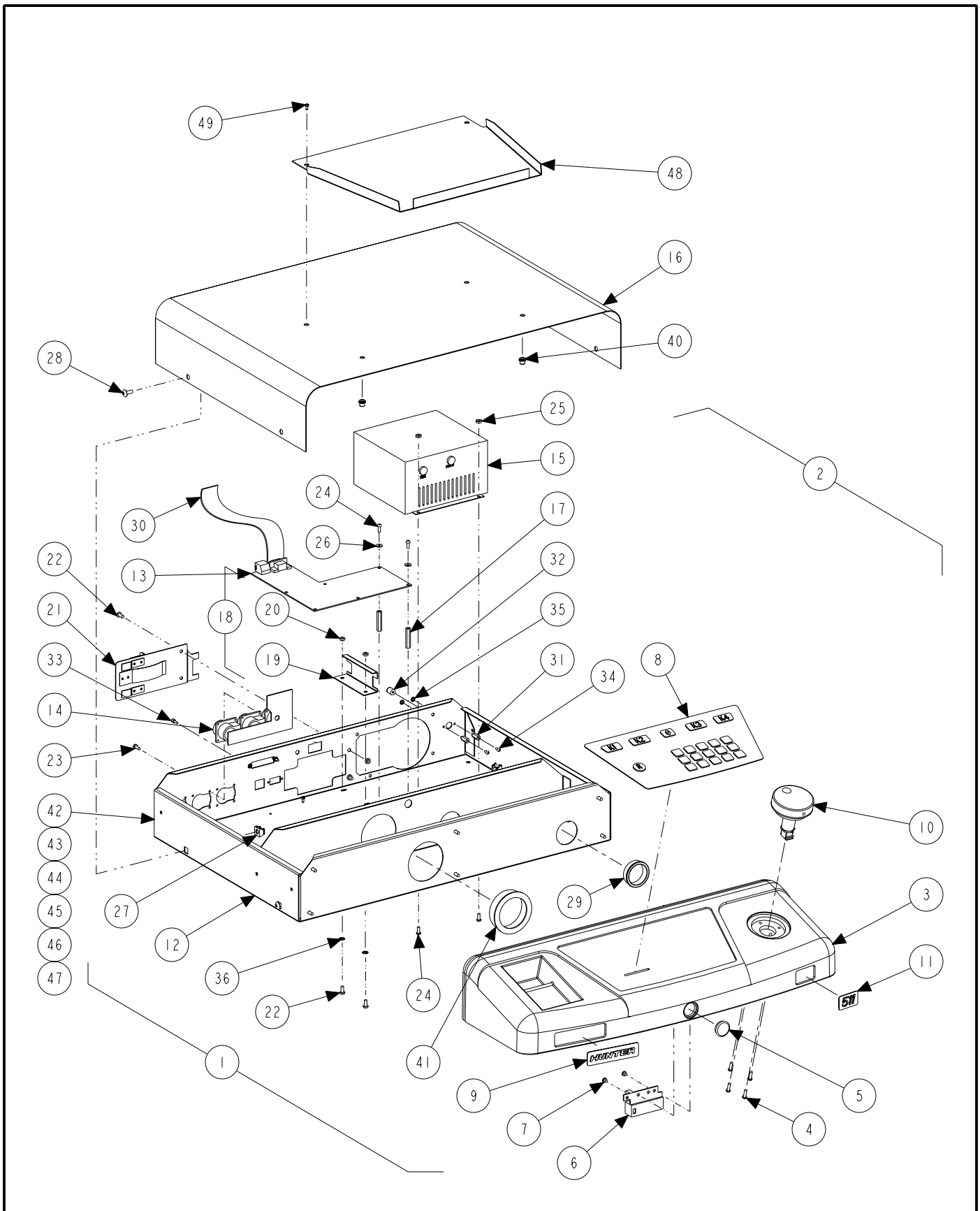


S511 MOBILE CABINET
© 2002 Hunter Engineering Company



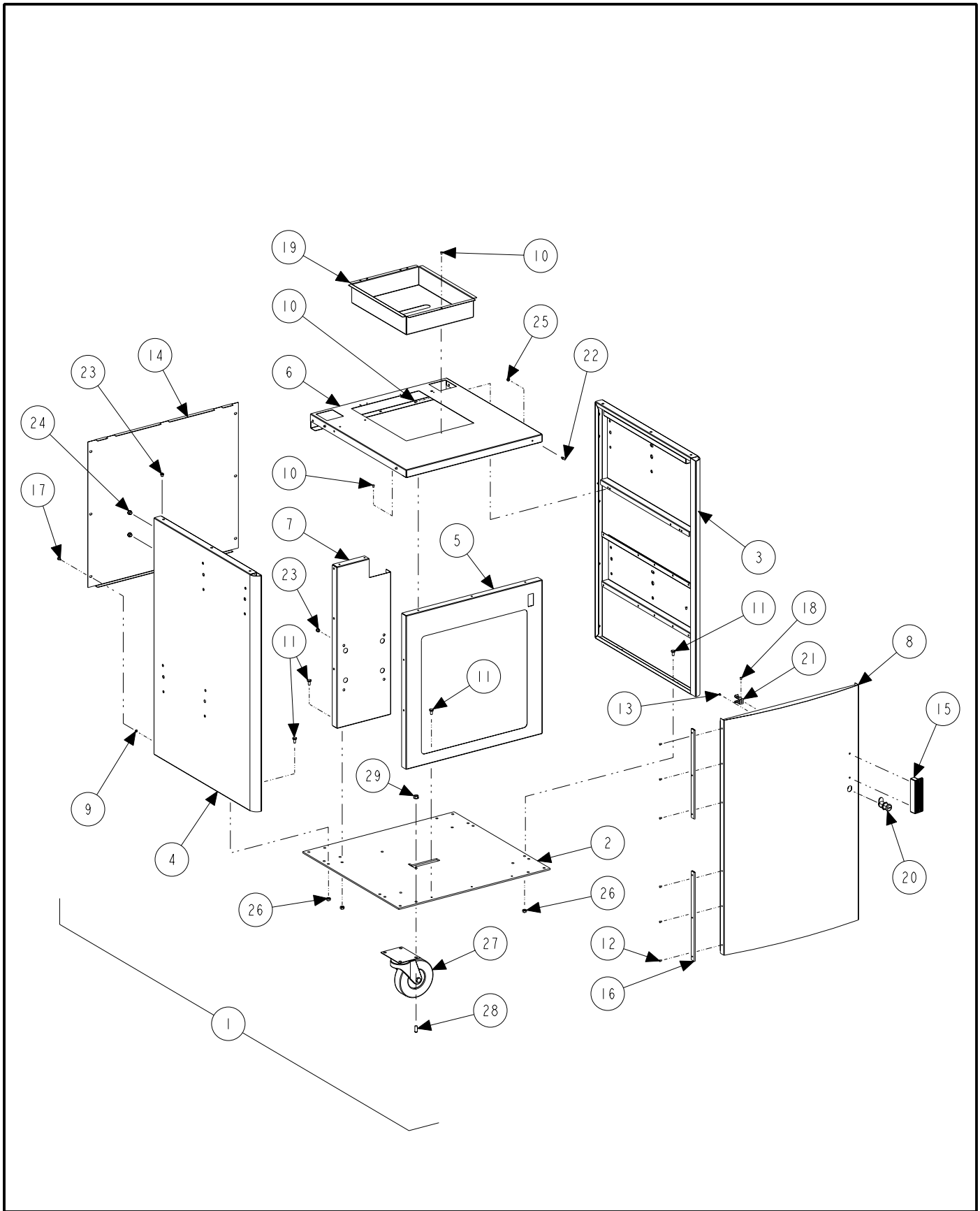
S511 MOBILE CABINET
REFER TO NEXT SHEET FOR PARTS DESCRIPTION LISTING

Index No.	Part Number	Description
A	227-50-2	14 INCH CRT VGA MONITOR
OR	227-74-2	17 INCH CRT VGA MONITOR (Not Illustrated)
B	38-911-2	CABLE, MONITOR POWER TO PC POWER (Not Illustrated)
C	28-89-2	FASTENER, VELCRO 2" LOOP SIDE (Not Illustrated)
D	28-90-2	FASTENER, VELCRO 2" HOOK SIDE (Not Illustrated)
E	51-1847-002	PLATE, CRT 14" TATUNG SUPPORT (Sheet 3)
F	51-1887-002	PLATE, CRT 17" TATUNG SUPPORT (Sheet 3)
G	11-1035-1	SUPPORT ASSEMBLY, MONITOR S511 (Sheet 3)
H	38-429-2	CABLE, 18/3 PRINTER POWER (Not Illustrated)
I	38-657-2	CABLE, PRINTER DATA (Not Illustrated)
J	38-428-2	CABLE, 18/3 CONSOLE POWER (Not Illustrated)
K	128-578-2	DECAL, EARTH GROUND WARNING (Not Illustrated)
L	75-413-2	SCREW, SELF TAPPING 10-32 x .50 (Not Illustrated) (Sheet 3)
M	30-384-1	CABINET, MOBILE S611 (Not Illustrated)
N	158-57-2	CASTER, PLATE WITH BRAKE (Sheet 4)
O	158-58-2	CASTER, PLATE (Sheet 4)
P	134-93-2	STUD, PRESS IN 5/16-18 x 3/4 (Sheet 4)
Q	76-177-2	NUT, KEPS 5/16-18 (Sheet 4)
R	WA15-S	BRAKE PEDAL DEPRESSOR (Not Illustrated)
S	28-75-1	HOLDER, STEERING WHEEL (Not Illustrated)
T	146-55-1	CONTROL ASSEMBLY, REMOTE WITH ZOOM
U	11-750--1	SUPPORT, INSTRUMENT WITH CHARGING
V	11-749-1	SUPPORT, INSTRUMENT WITHOUT CHARGING (Not Illustrated)



S511 MOBILE CABINET
 REFER TO NEXT SHEET FOR PARTS DESCRIPTION LISTING

Index No.	Part Number	Description	Qty.
1	11-1035-1	S511 MONITOR SUPPORT ASSEMBLY (Consisting Of:)	1
2	11-1038-1	S511 KEYPAD SUPPORT ASSEMBLY (Consisting Of:)	1
3	11-1023-2	S511 KEYPAD SUPPORT	1
4	75-49-2	ROUND HEAD MACHINE SCREW 6-32 x 1/2	4
5	69-685-2	COVER, REMOTE RECEIVER	1
6	45-911-3	PC ASSEMBLY, IR RECEIVER, SMT	1
7	75-403-2	PHILLIPS HEAD SHEET METAL SCREW 6 x 5/16	2
8	18-445-2	SWITCH, MEMBRANE S511	1
9	24-56-2	NAMEPLATE, HUNTER	1
10	18-447-1	ROTARY SWITCH ASSEMBLY S511	1
11	24-133-2	NAMEPLATE, S511	1
12	72-354-1	BASE ASSEMBLY, S511	1
13	45-989-1	PCB 511 CONSOLE	1
14	45-789-1	PC ASSEMBLY, INTERCONNECT	1
15	232-91-2	POWER SUPPLY	1
16	69-1036	COVER, S511 CRT SUPPORT	1
17	46-405-2	SPACER, 6 x 1.25 5/16	6
18	104-103-1	GUIDE, ASSEMBLY SIMM (Consisting Of:)	1
19	104-102	GUIDE, SMM 311	1
20	76-311-2	NUT, CLINCH 8-32	2
21	69-874-1	COVER ASSEMBLY	1
22	75-32-2	ROUND HEAD MACHINE SCREW 8-32 x 3/8	10
23	75-359-2	PHILLIPS HEAD SHEET METAL SCREW 6 x 3/8	12
24	75-24-2	ROUND HEAD MACHINE SCREW 6-32 x .38	12
25	76-307-2	NUT, LOCK 6-32 NYLON INSERT	4
26	77-17-2	WASHER, FLAT 6 MS ZP	4
27	76-190-2	NUT, TINNEMAN 10-32 CAGE	4
28	75-312-2	TRUSS HEAD MACHINE SCREW 10-32 x 1/2	8
29	113-191-2	BUSHING HEYCO #2240	2
30	38-793-1	CABLE, PRINTER INTERFACE	1
31	75-492-2	SCREW, JACK 4-40 x .50	2
32	34-119-2	KNOB, PUSH BUTTON POWER	1
33	75-378-2	SCREW, DSUB JACK SOCKET 4-40	1
34	75-30-2	ROUND HEAD MACHINE SCREW 4-40 x 1/4	2
35	77-15-2	WASHER, LOCK 4 INT TOOTH	4
36	77-14-2	WASHER, LOCK 8 INT TOOTH	2
37	38-950-1	CABLE ASSEMBLY, IR REMOTE (Not Illustrated)	1
38	94-11-2	TIE, CABLE (Not Illustrated)	4
39	94-23-2	TIE, HOLDER SNAP IN (Not Illustrated)	3
40	76-352-2	INSERT THREADED 10-32 x 1/2	4
41	113-199-2	BUSHING, HEYCO #2420	2
42	128-154-2	DECAL, SENSOR LOCATION WARNING	2
43	128-158-2	DECAL, SERVICE WARNING	1
44	128-575-2	LABEL, SWITCH MARKING	1
45	128-576-2	DECAL, 115/220 VOLTS 6 AMPS	1
46	24-51-2	NAMEPLATE, HUNTER MODEL & PART	1
47	24-54-2	NAMEPLATE, PATENT LABEL	1
48	51-1887-002	PLATE, 17" TATUNG SUPPORT	1
OR	51-1847-002	PLATE, 14" TATUNG SUPPORT (Not Illustrated)	1
49	75-413-2	SCREW, SELF TAPPING 10-32 x .50	6



S511 MOBILE CABINET
REFER TO NEXT SHEET FOR PARTS DESCRIPTION LISTING

Index No.	Part Number	Description	Qty.
1	30-384-1	MOBILE CABINET (Consisting Of:)	1
2	72-348-002	BASE ALIGNER	1
3	71-168-1-PPP	SIDE PANEL ASSEMBLY	1
4	71-169-1-PPP	SIDE PANEL ASSEMBLY	1
5	73-978-PPP	PANEL FRONT	1
6	215-123-PPP	SHELF PRINTER	1
7	11-1024-PPP	SUPPORT, POWER SUPPLY	1
8	132-156-1-PPP	DOOR ASSEMBLY	1
9	76-163-2	NUT, INSERT 8-32	6
10	48-19-2	RIVET, BLIND 3/16 x 1/4	24
11	75-23-2	HEX HEAD CAP SCREW 1/4-20 x .50	6
12	48-15-2	RIVET, BLIND 5/32 x 1/4	12
13	75-480-2	PHILLIPS HEAD SHEET METAL SCREW 10 x 1/2	2
14	73-983-PPP	PANEL, REAR	1
15	142-104-2	HANDLE, PULL W/ LABEL INSET	1
16	160-40-2	HINGE, DOOR 90 DEGREE STOP	2
17	75-474-2	SCREW, SELF TAPPING 8-32 x .38	6
18	48-83-2	RIVET, DRIVE 3/16 NYLON	2
19	105-238-001	HOUSING, PRINTER PAPER	1
20	144-54-2	LOCK, CAM TYPE	1
21	144-21-2	LATCH, DOOR	1
22	135-144-2	PIN, STRIKER	1
23	76-352-2	INSERT THREADED #10-32 STEEL	8
24	76-361-2	NUT, INSERT 1/4-20	4
25	76-262-2	NUT, LOCK NYLON INSERT 8-32	1
26	76-85-2	NUT, KEPS 1/4-20	6
27	158-57-2	CASTER PLATE WITH BRAKE	2
OR	158-58-2	CASTER, PLATE	2
28	134-93-2	STUD, PRESS IN 5/16-18 x 3/4	16
29	76-177-2	NUT, KEPS 5/16-18	16